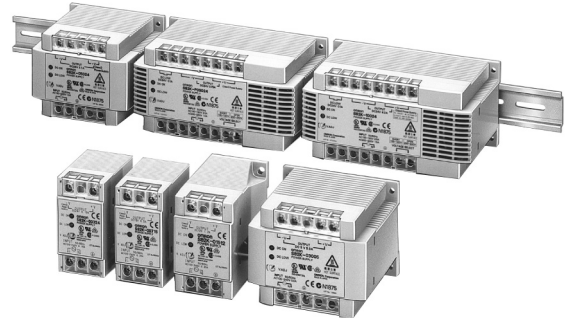


Switching Power Supply S82K

DIN-Rail Mount Power Supply with a Wide Power Range of 3 to 100 W

- Universal input voltage range.
- All models are UL 508 listed.
- Class 2 approved on all models below 100 W, except dual-output types.
- Undervoltage indicators on all models. 90-W and 100-W models have alarm and output indicators.
- PFC models meet EN61000-3-2 (limits for harmonic current emissions).
- Parallel operation capability (100 W).
- Finger-safe terminal block with cover according to VDE0106/P100.
- Approvals: UL, CSA, VDE, and CE.
- 3-year warranty.



Ordering Information

■ SWITCHING POWER SUPPLIES

Stock Note: Shaded models are normally stocked.

| Rated input voltage | Power ratings | Output voltage | Output current | Function configuration | | | Part number |
|---------------------|---------------|----------------|----------------|------------------------|--------------------|-----|-------------|
| | | | | Output | Undervoltage alarm | PFC | |
| 100 to 240 VAC | 3 W | 5 V | 0.6 A | Single output | Indicator only | No | S82K-00305 |
| | | 12 V | 0.25 A | | | | S82K-00312 |
| | | 15 V | 0.2 A | | | | S82K-00315 |
| | | 24 V | 0.13 A | | | | S82K-00324 |
| | 7.5 W | 5 V | 1.5 A | Dual output | Indicator only | No | S82K-00705 |
| | | 12 V | 0.6 A | | | | S82K-00712 |
| | | 15 V | 0.5 A | | | | S82K-00715 |
| | | 24 V | 0.3 A | | | | S82K-00724 |
| | | +12 V/-12 V | 0.3 A/0.2 A | | | | S82K-00727 |
| | | +15 V/-15 V | 0.2 A/0.2 A | | | | S82K-00728 |
| | 15 W | 5 V | 2.5 A | Single output | Indicator only | No | S82K-01505 |
| | | 12 V | 1.2 A | | | | S82K-01512 |
| | | 24 V | 0.6 A | | | | S82K-01524 |
| | | | | | | | |

(This table continues on the next page.)

Ordering Information Table – continued from previous page

| Rated input voltage | Power ratings | Output voltage | Output current | Function configuration | | | Part number | |
|------------------------|---------------|----------------|----------------|------------------------|--------------------|-----|-------------|-------------|
| | | | | Output | Undervoltage alarm | PFC | | |
| 100 to 240 VAC | 30 W | 5 V | 5.0 A | Single output | Indicator only | No | S82K-03005 | |
| | | 12 V | 2.5 A | | | | S82K-03012 | |
| | | 24 V | 1.3 A | | | | S82K-03024 | |
| | 50 W | 24 V | 2.1 A | | | | S82K-05024 | |
| 120/240 VAC selectable | 90 W | 24 V | 3.75 A | Indicator and output | Yes | No | S82K-P09024 | |
| | | | | | | | S82K-09024 | |
| | 100 W | 24V | 4.2 A | | | | Yes | S82K-P10024 |
| | | | | | | | No | S82K-10024 |

■ MODEL NUMBER LEGEND

S82K -
 1 2 3 4

1. Power Factor Correction

None: No
 P: Yes

2. Power Ratings

003: 3 W
 007: 7.5 W
 015: 15 W
 030: 30 W
 050: 50 W
 090: 90 W
 100: 100 W

3. Output Voltage

05: +5 VDC
 12: +12 VDC
 15: +15 VDC
 24: +24 VDC
 27: Dual output +12/-12 VDC
 28: Dual output +15/-15 VDC

4. Undervoltage alarm indicator/output

<For 3- to 100-W models>
 None: Yes
 <For 240-W models>
 None: No
 T: Yes

■ ACCESSORIES (SOLD SEPARATELY)

Stock Note: Shaded models are normally stocked.

Noise Filter

| Item | Applicable power supply | Part number |
|--------------|-------------------------|-------------|
| Noise filter | 3- to 50-W models | S82Y-JF3-N |
| | 90-W and 100-W models | S82Y-JF6-N |

DIN Rail

| Item | Length | Width | Part number |
|---|-----------------|------------------|-------------|
| DIN-rail (See <i>Dimensions</i> section for details.) | 0.5 m (1.64 ft) | 7.3 mm (0.29 in) | PFP-50N |
| | 1 m (3.28 ft) | 7.3 mm (0.29 in) | PFP-100N |
| | 1 m (3.28 ft) | 16 mm (0.63 in) | PFP-100N2 |

Specifications

■ NON-PFC MODELS

| Item | Single output | | Dual outputs | Single output | | | | |
|---|---|----------------------------|--|--|--------------|-----------------------------|--|------------|
| | 3 W | 7.5 W | | 7.5 W | 15 W | 30 W | 50 W | 90 W |
| Efficiency (typical) | 60% to 80% (Varies depending on specifications.) | | | | | | | |
| Input | | | | | | | | |
| Voltage (See Note 1.) | AC | 100 to 240 V (85 to 264 V) | | | | | 120 V (85 to 132 V)/ 240 V (170 to 264 V) Selectable | |
| | DC | 90 to 350 V (See Note 2.) | | | Not possible | | | |
| Frequency | 50/60 Hz (47 to 450 Hz) | | | | | | | |
| Current (See Note 3.) | 100-V input | 0.15 A max. | 0.25 A max. | | 0.45 A max. | 0.9 A max. | 1.3 A max. | 2.5 A max. |
| | 200-V input | | | | 0.25 A max. | 0.6 A max. | 0.8 A max. | 1.5 A max. |
| Leakage current (See Note 3.) | 100-V input | 0.5 mA max. | | | | | | |
| | 200-V input | 1 mA max. | | | | | | |
| Inrush current (See Note 3.) | 100-V input | 15 A max. | | | 25 A max. | | | |
| | 200-V input | 30 A max. | | | 50 A max. | | | |
| Noise filter | Yes | | | | | | | |
| Output (See Note 4.) | | | | | | | | |
| Voltage adjustment range | ±10% (V.ADJ) | | Not possible (See Note 5.) | ±10% (V.ADJ); -10% to 15% for S82K-03012/-03024/-05024 | | | | |
| Ripple (See Note 3.) | 2% (p-p) max. | | | | | | | |
| Input variation influence | 0.5 % max. (at 85 to 264 VAC, 100% load) | | | | | | 0.5 % max. (at 85 to 132 VAC/ 170 to 264 VAC input, 100% load) | |
| Load variation influence | 1.5% max. (0 to 100% load) | | +V: 1.5% max. -V: 3 % max. (0 to 100% load) | 1.5% max. (0 to 100% load) | | 1.5% max. (10 to 100% load) | | |
| Temperature variation influence (See Note 3.) | 0.05%/°C max. | | | | | | | |
| Startup time | 100 ms max. (up to 90% of output voltage at rated input and output) | | | | | | 200 ms max. | |
| Hold time (See Note 3.) | 20 ms min. | | | | | | | |

(This table continues on the next page.)

- Note: 1. Use with DC voltage input is beyond the conditions of approval or conformance to applicable safety standards.
 2. Use the 7.5-W single-output models under the load of 90% max. if the voltage range is between 90 and 110 VDC.
 3. Defined with a 100% load and the rated input voltage (100 or 200 VAC).
 4. The output specification is defined at the power supply output terminals.
 5. The settings for the output voltage must be within the following range:
 +V: ±1% of the rated value
 -V: ±5% of the rated value

Specifications Table – continued from previous page

| Item | Single output | | Dual outputs | Single output | | | | |
|---|---|--|--------------|---------------|------|------|-------------------------|-------|
| | 3 W | 7.5 W | 7.5 W | 15 W | 30 W | 50 W | 90 W | 100 W |
| Additional functions | | | | | | | | |
| Overload protection | 105% to 160% (105% to 250% for dual outputs model, 101% to 111% for 90-W model) of rated load current, automatic reset (See Note 6.) | | | | | | | |
| Overvoltage protection (See Note 7.) | No | | | | | | | |
| Undervoltage alarm indicator (DC LOW indicator) | Yes (color: red) | | | | | | | |
| Undervoltage alarm output (DC LOW output) | No | | | | | | Yes | |
| Parallel operation | Not possible | | | | | | Possible (2 units max.) | |
| Characteristics | | | | | | | | |
| Ambient temperature | Operating | See the derating curve in the <i>Engineering Data</i> section (no condensation or icing) | | | | | | |
| | Storage | -25°C to 65°C (-13°F to 149°F) with no condensation or icing | | | | | | |
| Ambient humidity | Operating | 25% to 85% | | | | | | |
| | Storage | 25% to 90% | | | | | | |
| Dielectric strength | 3,000 VAC at 50/60 Hz for 1 min (between all inputs and outputs) 2,000 VAC at 50/60 Hz for 1 min (between all inputs and GR terminal) 1,000 VAC at 50/60 Hz for 1 min (between all outputs and GR terminal) Alarm current: 10 mA (3- to 7.5-W models) 20 mA (15- to 100-W models) 25 mA (240-W models) | | | | | | | |
| Insulation resistance | 100 MΩ min. at 500 VDC (between all outputs and all inputs/GR terminal) | | | | | | | |
| Vibration resistance | Malfunction: 10 to 55 Hz, 0.375-mm (0.15-mm for 240-W model) single amplitude for 2 hrs each in X, Y, and Z directions | | | | | | | |
| Shock resistance | Malfunction: 300 m/s ² , 3 times each in ±X, ±Y, and ±Z directions | | | | | | | |
| Screw tightening torque | 0.74 N • m max. (See Note 8.) | | | | | | | |
| Output indicator | Yes (green) | | | | | | | |
| Electromagnetic interference (See Note 3.) | Conforms to FCC class B | | | | | | Conforms to FCC class A | |

(This table continues on the next page.)

- Note: 1. Use with DC voltage input is beyond the conditions of approval or conformance to applicable safety standards.
2. Use the 7.5-W single-output models under the load of 90% max. if the voltage range is between 90 and 110 VDC.
3. Defined with a 100% load and the rated input voltage (100 or 200 VAC).
4. The output specification is defined at the power supply output terminals.
5. The settings for the output voltage must be within the following range:
+V: ±1% of the rated value
-V: ±5% of the rated value
6. When using the 7.5-W single-output models within the input voltage range between 90 and 110 VDC, the protection function will operate at a current of 95% to 160% of the rated load current. When using the 90-W model under the ambient temperature over 25°C, the protection function may operate at a current of 92% to 111% of the rated load current.
7. Circuit-breaker type. To reset, turn the input power supply OFF, then after 1 min has elapsed, turn the input power supply ON again.
8. Do not press down on the terminal block with a force exceeding 75 N while tightening the terminals.
9. To ensure the emission ratings, a noise filter should be used on the output lines at the closest point.
(3- to 50-W models: S82Y-JF3-N, 90-W and 100-W models: S82Y-JF6-N)
10. To ensure the Emission Enclosure rating, a ferrite ring core should be used on all cables (for S82K-P24024).
11. To meet Class 2 requirement with 100-W model, either a fuse or circuit breaker that is UL listed or CSA certified, and rated at 4.2 A max. should be used in the output of the power supply. Only then can the power supply output be considered as meeting Class 2.

Specifications Table – continued from previous page

| Item | Single output | | Dual outputs | Single output | | | | |
|------------------------------------|----------------------|--|--------------|---------------|------------|------------|------|-------|
| | 3 W | 7.5 W | 7.5 W | 15 W | 30 W | 50 W | 90 W | 100 W |
| Characteristics (continued) | | | | | | | | |
| EMC (See Note 9.) | 3-W to 100-W models | (EMI): EN50081-1 Emission Enclosure: EN55022 class B (equivalent to EN55011 class B) Emission AC Mains: EN55022 class B (equivalent to EN55011 class B) Emission Output Ports: EN55022 class A (with a recommended optional filter) (See Note 9.) | | | | | | |
| | 240-W models | (EMI): EN50081-2 Emission Enclosure: EN55011 class A (See Note 10.) Emission AC Mains: EN55011 class A (See Note 10.) Harmonic Current: EN61000-3-2 (only for S82K-P24024) | | | | | | |
| | Common to all models | (EMS): EN50082-2 Immunity ESD: EN61000-4-2: 4-kV contact discharge (level 2) 8-kV air discharge (level 3) Immunity Burst: EN61000-4-4: 2-kV power-line (level 3) 2-kV output line (level 4) Immunity Surge: EN61000-4-5: between 2-kV lines (except for 240-W models) between 4-kV line and FG (except for 240-W models) | | | | | | |
| Approved standards | | UL508 (Listing)/1950; Class 2 Power Supply, CE; CSA C22.2 No.14/No.950; EN50178 (VDE0160), EN60950 (Conforms to VDE0106/P100) | | | | | | |
| | | * 100-W model must have a fuse in the output to be Class 2. (See Note 11.) | | | | | | |
| Weight | 150 g max. | | 260 g max. | 380 g max. | 400 g max. | 600 g max. | | |

- Note: 1. Use with DC voltage input is beyond the conditions of approval or conformance to applicable safety standards.
 2. Use the 7.5-W single-output models under the load of 90% max. if the voltage range is between 90 and 110 VDC.
 3. Defined with a 100% load and the rated input voltage (100 or 200 VAC).
 4. The output specification is defined at the power supply output terminals.
 5. The settings for the output voltage must be within the following range:
 +V: ±1% of the rated value
 -V: ±5% of the rated value
 6. When using the 7.5-W single-output models within the input voltage range between 90 and 110 VDC, the protection function will operate at a current of 95% to 160% of the rated load current. When using the 90-W model under the ambient temperature over 25°C, the protection function may operate at a current of 92% to 111% of the rated load current.
 7. Circuit-breaker type. To reset, turn the input power supply OFF, then after 1 min has elapsed, turn the input power supply ON again.
 8. Do not press down on the terminal block with a force exceeding 75 N while tightening the terminals.
 9. To ensure the emission ratings, a noise filter should be used on the output lines at the closest point.
 (3- to 50-W models: S82Y-JF3-N, 90-W and 100-W models: S82Y-JF6-N)
 10. To ensure the Emission Enclosure rating, a ferrite ring core should be used on all cables (for S82K-P24024).
 11. To meet Class 2 requirement with 100-W model, either a fuse or circuit breaker that is UL listed or CSA certified, and rated at 4.2 A max. should be used in the output of the power supply. Only then can the power supply output be considered as meeting Class 2.

■ PFC MODELS (S82K-P□□□24)

Notes below this table apply to this page only.

| Item | | Single output | |
|-------------------------------|--|--|-------|
| Power Rating | | 90 W | 100 W |
| Efficiency (typical) | | 60% to 80% (Varies depending on specifications.) | |
| Input | | | |
| Voltage | | 120 V (85 to 132 VAC)/240 V (170 to 264 VAC) Selectable | |
| Frequency | | 50/60 Hz (47 to 63 Hz) | |
| Current (See Note 1.) | 100-V input | 2.5 A max. | |
| | 200-V input | 1.0 A max. | |
| Power factor | 100-V input | --- | |
| | 200-V input | 0.7 min. | |
| Leakage current (See Note 1.) | 100-V input | 0.5 mA max. | |
| | 200-V input | 1 mA max. | |
| Inrush current (See Note 1.) | 100-V input | 25 A max. | |
| | 200-V input | 50 A max. | |
| Noise filter | | Yes | |
| Output (See Note 2.) | | | |
| Voltage adjustment range | | ±10% (V.ADJ) | |
| Ripple (See Note 1.) | | 2% (p-p) max. | |
| Input variation influence | | 0.5% max. (at 85 to 132 VAC/170 to 264 VAC input, 100% load) | |
| Load variation influence | | 1.5% max. (0 to 100% load) | |
| Temperature variation | | 0.05%/°C max. | |
| Start up time | | 200 ms max. | |
| Hold time (See Note 1.) | | 20 ms min. | |
| Additional function | | | |
| Overload protection | 101% to 111% of rated load current, inverted L drop, automatic reset (See Note 3.) | 105% to 160% of rated load current, inverted L drop, automatic reset | |
| Overvoltage protection | No | | |
| Under voltage alarm indicator | Yes (color: red) | | |
| Under voltage alarm output | Yes | | |
| Parallel operation | Impossible | Possible (2 units max.) (See Note 4.) | |

(PFC specifications table continues on the next page.)

- Note: 1. Defined with a 100% load and the rated input voltage (100 or 200 VAC)
 2. The output specification is defined at the power supply output terminals.
 3. When the ambient temperature exceeds 25°C, the protection function may operate at a current of 92% to 111% of the rated load current.
 4. Parallel operation is set with the Parallel/Single Operation Selector Switch.
 5. MTBF minimum 135,000 hours – by calculating the failure rate of each component within the unit. Expected life 8 years – measuring the reliability of the unit.

Specifications Table PFC Models (S82K-P□□□24) – continued from previous page

| Item | Single output | |
|--|--|---|
| Power Rating | 90 W | 100 W |
| Characteristics | | |
| Ambient temperature | Operating | See the derating curve in the Engineering Data section (no condensation or icing) |
| | Storage | -25°C to 65°C (no condensation or icing) |
| Ambient humidity | Operating | 25% to 85% |
| | Storage | 25% to 90% |
| Dielectric strength | 3,000 VAC at 50/60 Hz for 1 min. (between all inputs and outputs) 2,000 VAC at 50/60 Hz for 1 min. (between all inputs and GR terminal) 1,000 VAC at 50/60 Hz for 1 min. (between all outputs and GR terminal) Alarm current: 20 mA (90- and 100-W models) 25 mA (240-W models) | |
| Insulation resistance | 100 MΩ min. at 500 VDC (between all outputs and all inputs/GR terminal) | |
| Vibration resistance | Malfunction: 10 to 55 Hz, 0.375-mm single amplitude for 2 hrs each in X, Y, and Z directions | |
| Shock resistance | Malfunction: 150 m/s ² , 3 times each in ±X, ±Y, and ±Z directions | |
| Screw tightening torque | 0.74 N • m max. (See Note 2.) | |
| Output indicator | Yes (Green) | |
| Electromagnetic interference (See Note 1.) | Conforms to FCC class A | |
| EMC (See Notes 3, 4.) | <p><u>90-, 100-W Models</u> (EMI): EN50081-1 Harmonic Current: EN61000-3-2 (200 VAC input only) Emission Enclosure: EN55022 class B Emission AC Mains: EN55022 class B Emission Output Ports: EN55022 class A (with a recommended optional filter) (See Note 3.)</p> <p><u>240-W Model</u> (EMI): EN50081-2 Harmonic Current: EN61000-3-2 Emission Enclosure: EN55011 class A (See Note 4.) Emission AC Mains: EN55011 class A</p> <p><u>Common to All Models</u> (EMS): EN50082-2 Immunity ESD: EN61000-4-2: 4-kV contact discharge (level 2) 8-kV air discharge (level 3) Immunity Burst: EN61000-4-4: 2-kV power-line (level 3) 2-kV output line (level 4) Immunity Surge: EN61000-4-5: between 2-kV lines (except for 240-W models) between 4-kV line and FG (except for 240-W models)</p> | |
| Approved standards | UL508 (Listing)/1950 Class 2 (UL1310)/Class 2 (CSA C22.2 No. 950) (See Note 5.) CSA C22.2 No. 14/No. 950, EN50178 (VDE160), EN60950 Conforms to VDE0106/P100 | |
| Weight | 1,000 g max. | |

(The notes below apply to this page only.)

- Note: 1. Defined with a 100% load and the rated input voltage (100 or 200 VAC)
 2. Do not press down on the terminal block with a force exceeding 75 N while tightening the terminals.
 3. To ensure the Emission Enclosure ratings, a noise filter should be used on the output lines at the closest point. (90- and 100-W models: S82Y-JF6-N)
 4. To ensure the Emission Enclosure rating, a ferrite ring core should be used on all cables.
 5. To meet Class-2 requirements with the 100-W model, either a fuse or circuit breaker that is UL listed or CSA certified, and rated at 4.2 A max. should be used in the output of the power supply. Only then can the power supply output be considered as meeting Class 2.

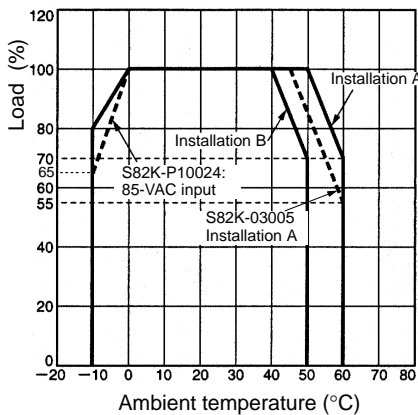
■ REFERENCE VALUE

| Item | Value | Definition |
|--------------------|------------------|---|
| Reliability (MTBF) | 135,000 hrs min. | MTBF stands for Mean Time Between Failures, which is calculated according to the probability of accidental device failures, and indicates reliability of devices. Therefore, it does not necessarily represent a life of the product. |
| Life expectancy | 8 yrs. min. | The life expectancy indicates average operating hours under the ambient temperature of 40°C and a load rate of 50%. Normally this is determined by the life expectancy of the built-in aluminum electrolytic capacitor. |

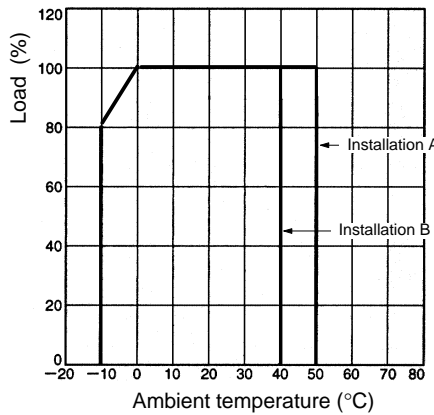
Engineering Data

■ DERATING CURVE

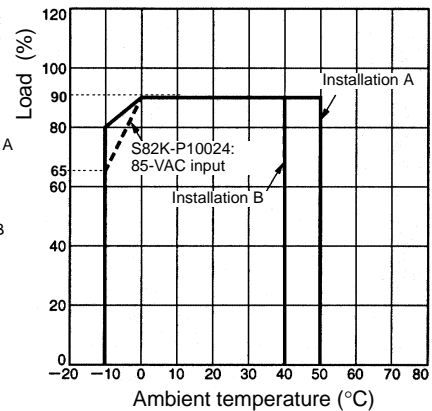
**3-/7.5-/15-/30-/50-/100-W Models
Single-Unit Operation**



**100-W Models without PFC
Parallel-Unit Operation**

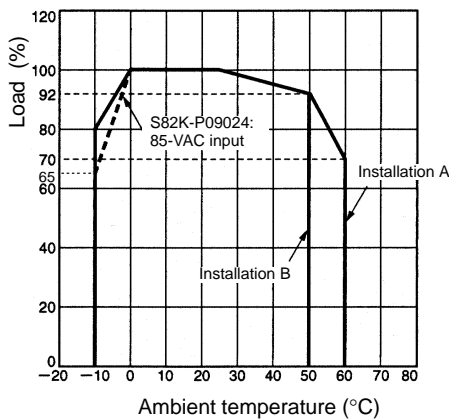


**100-W Models with PFC
Parallel-Unit Operation**



Note: When using the 7.5-W single-output models within the input voltage range between 90 and 110 VDC, the load rate will become 90% or less.

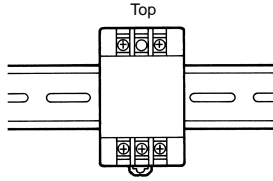
**90-W Models
Single-Unit Operation**



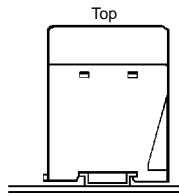
Mounting Position

The *derating curve* can be ensured for these two kinds of installations.

(A) Standard (Vertical) Installation



(B) Horizontal Installation



Note: Horizontal installation is not permitted for 240-W models.

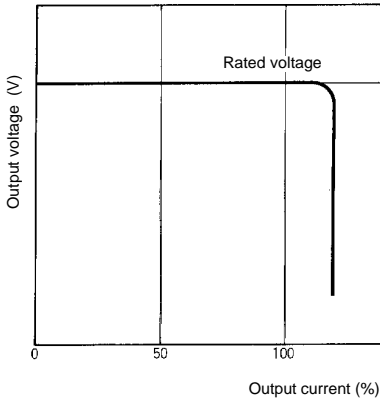
OVERLOAD PROTECTION

The Power Supply is provided with an overload protection function that protects the load and the power supply from possible damage by overcurrent. When the output current rises above a set value (refer to the table below), the protection function is triggered, decreasing the output voltage. When the output current falls within the rated range, the overload protection function is automatically cleared.

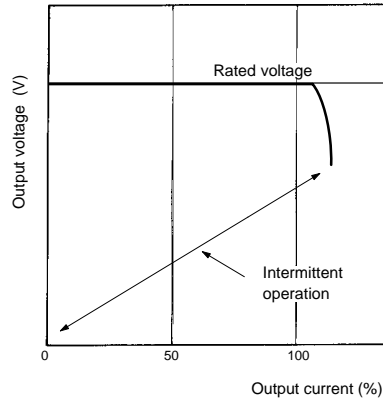
| | Single output | | Dual outputs | Single output | | | | |
|-----------|--|-------|------------------------------------|------------------------------------|--|------|---|--|
| | 3 W | 7.5 W | 7.5 W | 15 W | 30 W | 50 W | 90 W | 100 W |
| Set value | 105% to 160% of rated load current (See Note 1.) | | 105% to 250% of rated load current | 105% to 160% of rated load current | | | 101% to 111% of rated load current (See Notes 2 and 3.) | 105% to 160% of rated load current (See Note 3.) |
| Operation | Inverted L drop type, automatic reset | | | | Inverted L drop/intermittent operation type, automatic reset | | Inverted L drop type, automatic reset | |

- Note: 1. When using the 7.5-W single-output models within the input voltage range between 90 and 110 VDC, the overload protection function will operate at currents from 95% to 160% of the rated load current.
 2. When using the 90-W model at an ambient temperature exceeding 25°C, the overload protection function will operate at currents from 92% to 111% of the rated load current.
 3. When using the 100-W model with PFC in parallel operation, the overload protection function will operate at currents from 3.78 to 4.2 A.

3-/7.5-/15-/90-/100-W Models



30-/50-W Models



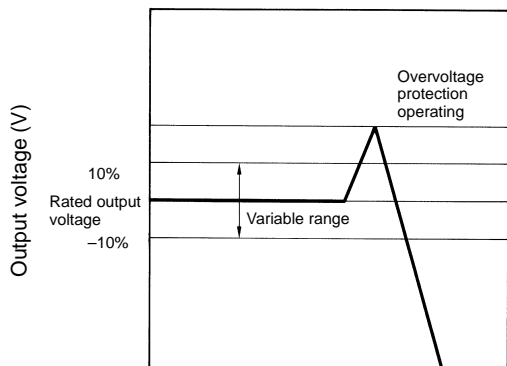
Note: Do not short-circuit the output terminals of the S82K or use the S82K with excessive output current for a long time, otherwise the internal circuitry of the S82K may be deteriorated or damaged.

When Using Dual Output (+/-) Models

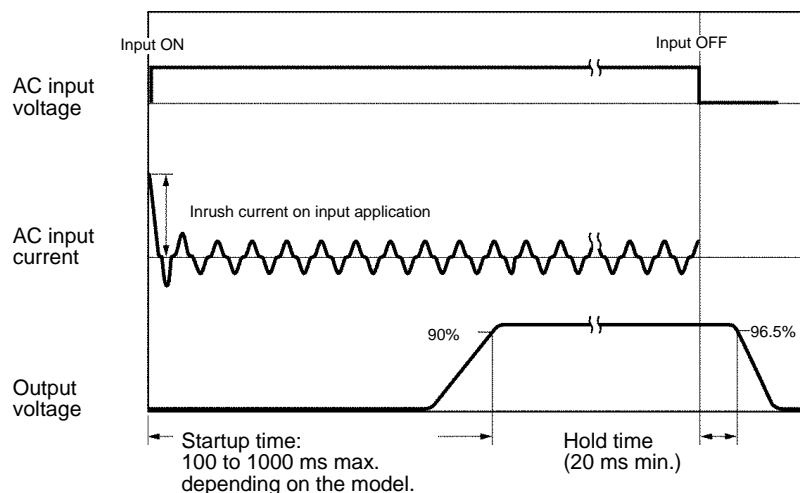
The +V output detects the total output power (+V output and -V output) to trigger the short-circuit protection against overcurrent. This protection varies depending on the -V output state. The -V output independently triggers the short-circuit protection.

OVERVOLTAGE PROTECTION (S82K-24024T ONLY)

The Power Supply is provided with an overvoltage protection function that protects the load and the Power Supply from possible damage by overvoltage. When the output voltage rises above a set value, the protection function is triggered, shutting off the output voltage. If this occurs, reset the Power Supply by turning it off for 1 minute min. and then turning it on again.



INRUSH CURRENT, STARTUP TIME, HOLD TIME



Operation

■ UNDERVOLTAGE ALARM INDICATOR AND OUTPUT FUNCTION (ALL MODELS)

If the output voltage at the output terminal drops to 75% to 90% of the rated voltage, the red indicator of the S82K (DC LOW indicator) will be lit. In the case of the 90-W and 100-W, a voltage drop alarm will be output via the relay available in the models (DC LOW output).

This function detects the voltage at the output terminal of the Power Supply. To check the precise output voltage, measure the voltage at the terminal of the load.

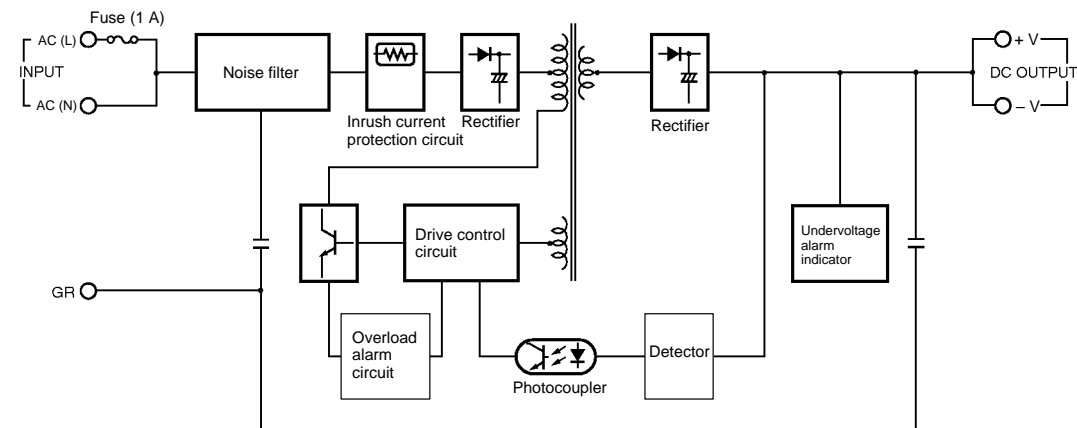
| Indicator | Voltage | Operation of 90-W, 100-W output (DC LOW output) (See Note 2.) |
|---|---|---|
| Green: DC ON Red: DC LOW | If the voltage at the output terminal is more than 82% of the rated voltage and operation is normal, the green indicator will be lit and the red indicator will not be lit. | |
| Green: DC ON Red: DC LOW (See Note 1.) | If the voltage at the output terminal drops to below 82% of the rated voltage, the red indicator will be lit. (See Note 3.) | |
| Green: DC ON Red: DC LOW | If the voltage at the output terminal is 0 V, both the green and red indicators will not be lit. | |

- Note: 1. The more the voltage at the output terminal drops, the darker both the green and red indicators will be.
 2. The relay contacts have a capacity of 0.1 A at 24 VDC.
 3. The red indicator will actually first light at a voltage between 75% and 90% of the rated voltage.

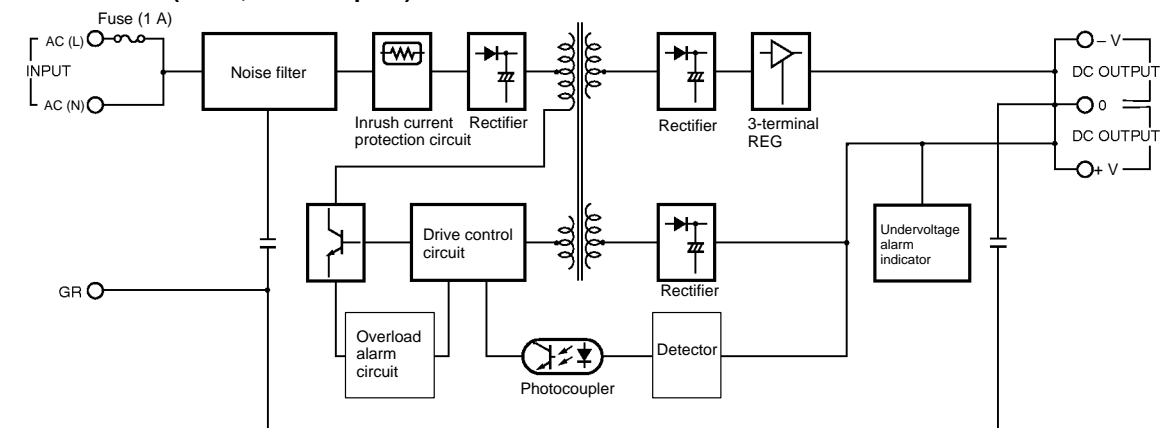
■ BLOCK DIAGRAMS

S82K-003 (3 W)

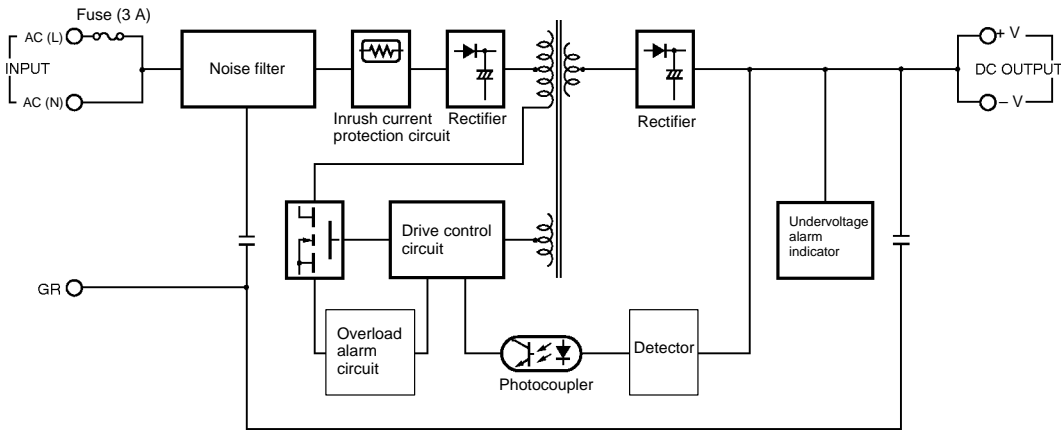
S82K-007 (7.5 W, Single Output)



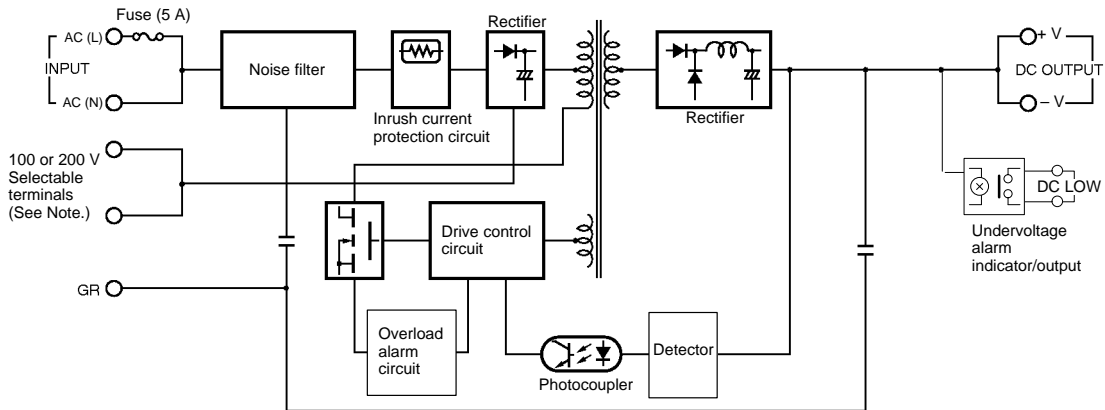
S82K-007 (7.5 W, Dual Outputs)



S82K-015□□ (15 W)
S82K-030□□ (30 W)
S82K-05024 (50 W)

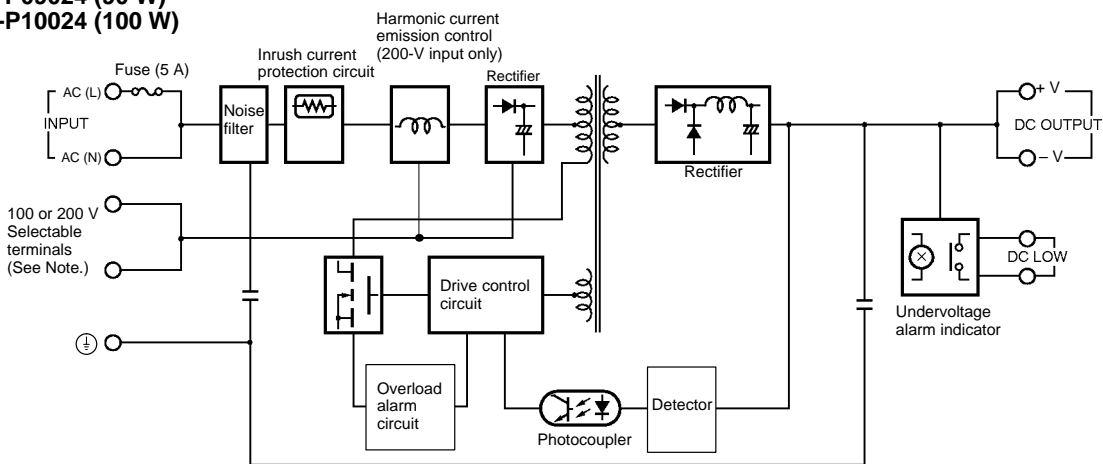


S82K-09024 (90 W)
S82K-10024 (100 W)



Note: Use the short bar to short-circuit terminals 7 and 8 to select 100 to 120 VAC and remove the short bar to select 200 to 240 VAC.

S82K-P09024 (90 W)
S82K-P10024 (100 W)

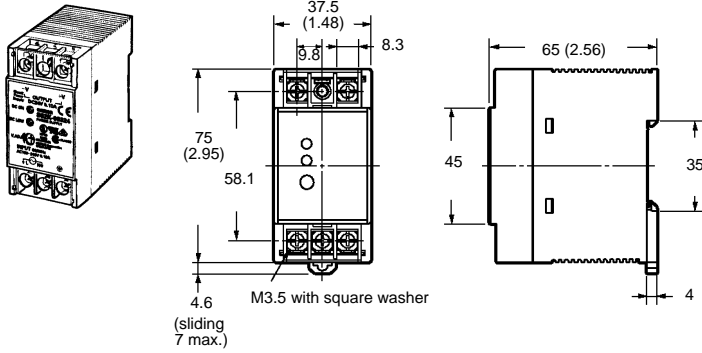


Note: Use the short bar to short-circuit terminals 7 and 8 to select 100 to 120 VAC and remove the short bar to select 200 to 240 VAC.

Dimensions

Unit: mm (inch)

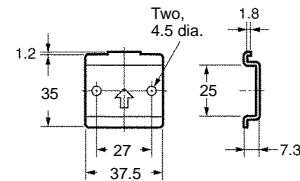
- S82K-003□□ (3 W)
- S82K-007□□ (7.5 W)



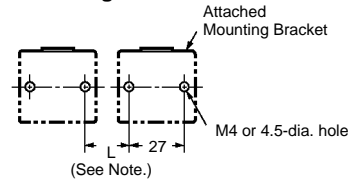
Mounting Brackets

(Supplied with the Power Supply)

Used when not mounting the Power Supply directly on the DIN rail.

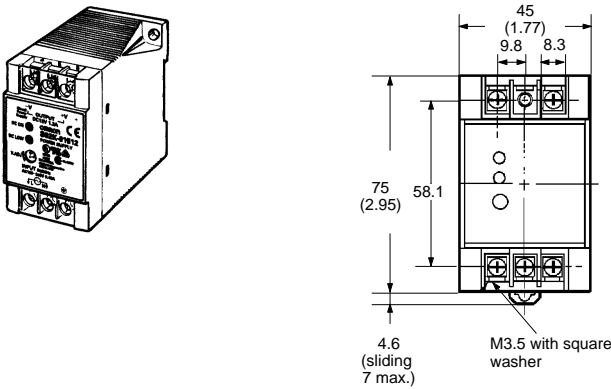


Mounting Holes



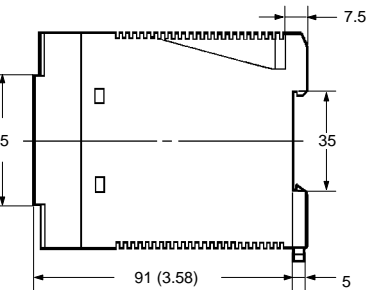
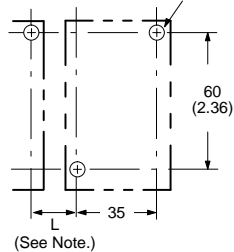
Note: If more than one Power Supply is installed in a row, keep a distance of 20 mm min. (L = 20 mm min.) between each adjacent Power Supply.

- S82K-015□□ (15 W)



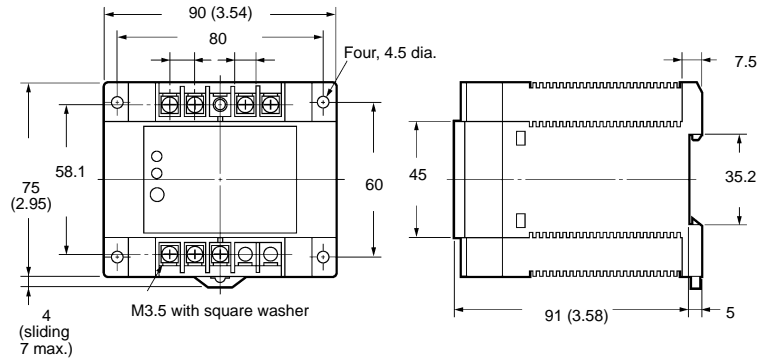
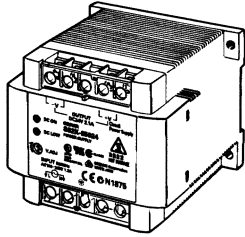
Mounting Holes

Two, M4 or 4.5-dia. mounting holes

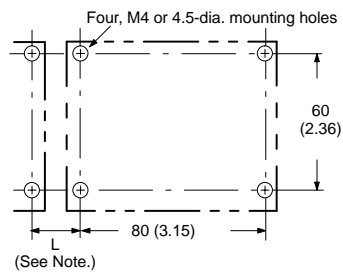


Note: If more than one Power Supply is installed in a row, keep a distance of 20 mm min. (L = 20 mm min.) between each adjacent Power Supply.

■ S82K-030□□ (30 W)
S82K-05024 (50 W)



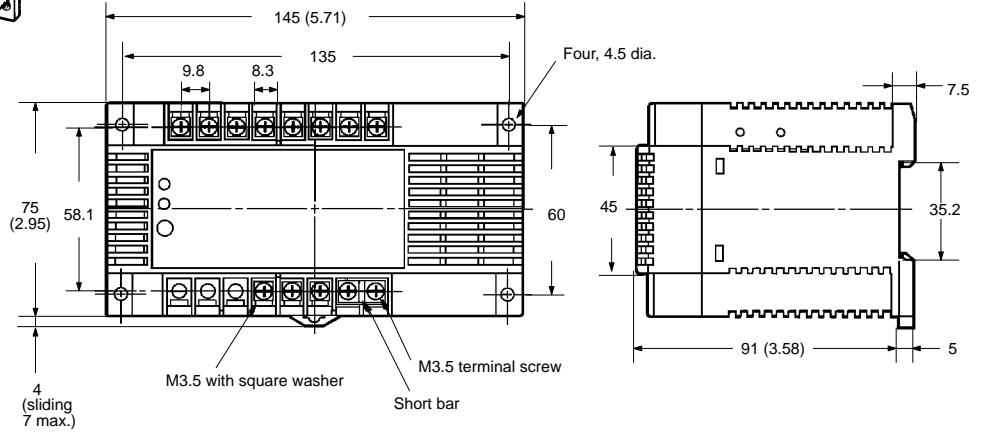
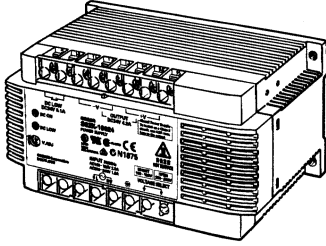
Mounting Holes



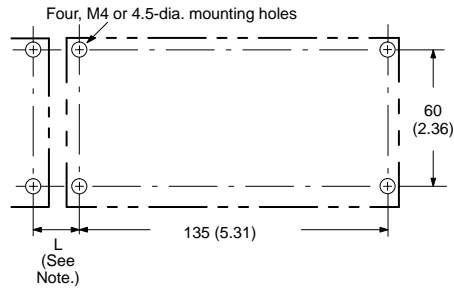
Note: If more than one Power Supply is installed in a row, keep a distance of 20 mm min. (L = 20 mm min.) between each adjacent Power Supply.

Unit: mm (inch)

- S82K-□09024 (90 W)
- S82K-□10024 (100 W)



Mounting Holes



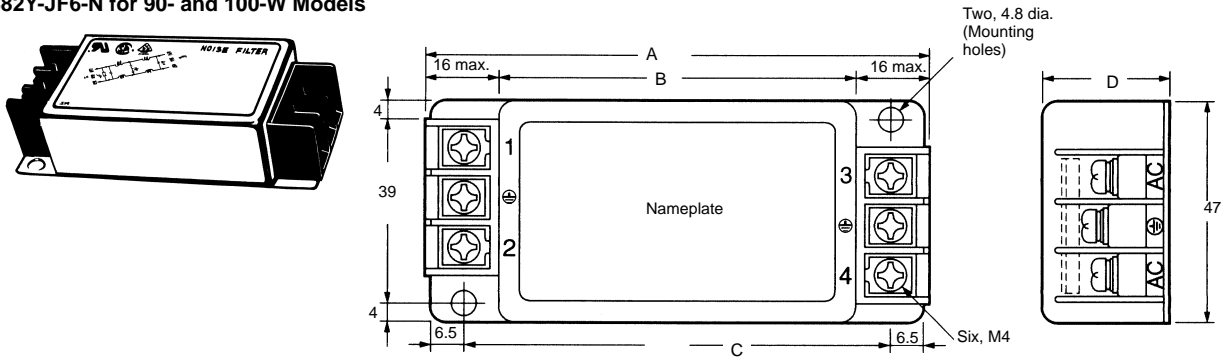
Note: If more than one Power Supply is installed in a row, keep a distance of 20 mm min. (L = 20 mm min.) between each adjacent Power Supply.

Unit: mm (inch)

■ ACCESSORIES

Noise Filter (Order Separately)

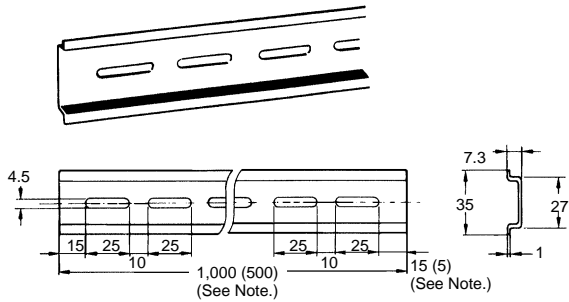
S82Y-JF3-N for 3- to 50-W models
S82Y-JF6-N for 90- and 100-W Models



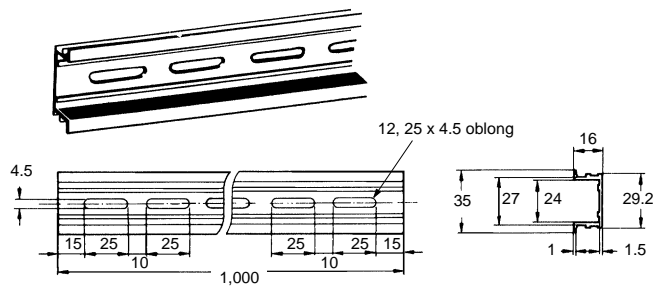
| Model | A | B | C | D |
|------------|------------|-----------|------------|-----------|
| S82Y-JF3-N | 107 (4.21) | 75 (2.95) | 90 (3.54) | 26 (1.02) |
| S82Y-JF6-N | 117 (4.60) | 85 (3.35) | 100 (3.93) | 30 (1.18) |

DIN Rail Mounting Track (Order Separately)

PFP-100N/PFP-50N



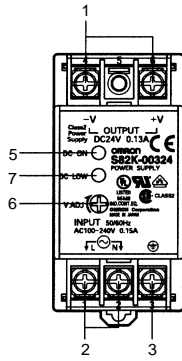
PFP-100N2



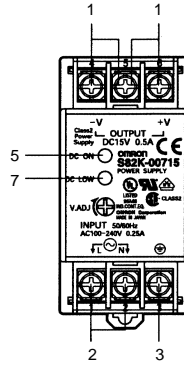
Note: The values shown in parentheses are for the PFP-50N.

Installation

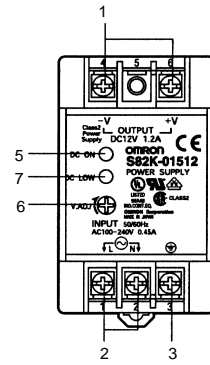
■ S82K-003□□/
S82K-007□□
(Single Output)



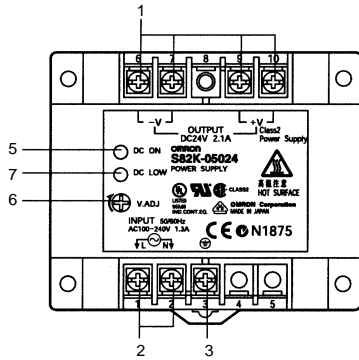
■ S82K-007□□
(Dual outputs)



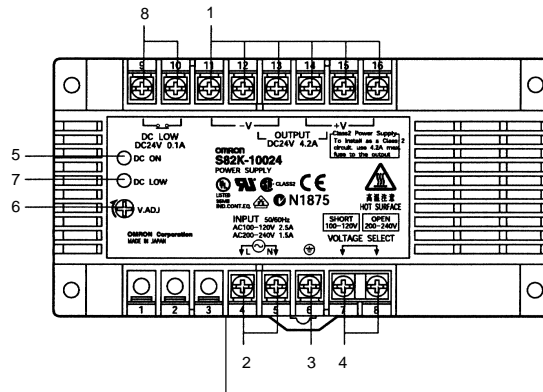
■ S82K-015□□



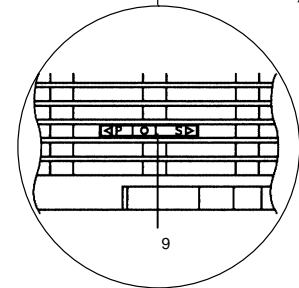
■ S82K-030□□/
S82K-05024



■ S82K-□09024/
S82K-□10024



Bottom view
(Only for
S82K-P10024)



Precautions



Caution

Be sure to connect the grounding line. Not doing so may result in electric shock.



WARNING

Do not attempt to disassemble the Power Supply or touch its internal parts while power is being supplied. Doing so may result in electric shock.

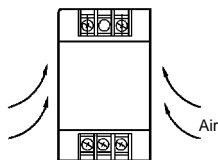
Do not touch the terminals of the Power Supply within one minute after power has been turned OFF. Doing so may result in electric shock due to a residual voltage.

Do not touch the Power Supply Unit while power is being supplied or immediately after power has been turned OFF. Doing so may result in a skin burn due to high temperature of the Power Supply.

■ MOUNTING

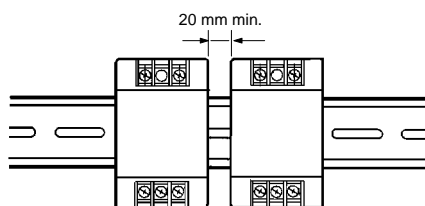
To improve and maintain the reliability of the Power Supply over a long period of time, consider the heat dissipation.

The Power Supply is designed to dissipate heat by means of natural air-flow. Mount the Power Supply so that air flow takes place around the Power Supply.

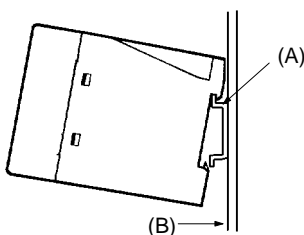


When mounting two or more Power Supplies side-by-side, allow at least 20 mm (0.79 in) spacing between them, as shown in the following illustration.

Forced-air cooling is recommended.

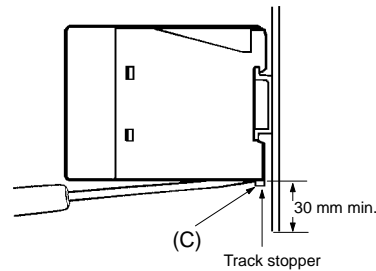


To mount the Power Supply on a DIN rail, hook portion (A) of the Power Supply to the rail and press the Power Supply toward direction (B).



■ REMOVAL

To remove the Power Supply, pull down portion (C) with a flat-blade screwdriver and pull out the Power Supply.



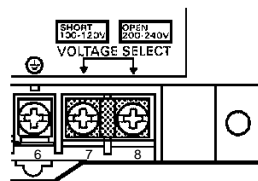
When tightening the terminals, do not tighten the terminal block to a torque greater than 75 N.

■ SELECTION OF 100 TO 120 VAC OR 200 TO 240 VAC INPUT VOLTAGE (S82K-□09024/-□10024)

Select a 120 V or 240 V input by shorting or opening the Input Voltage Selector Terminals, as shown in the following diagram.

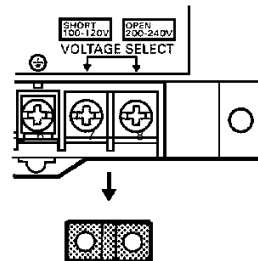
The default setting is 240 V.

100-V to 120-V Input



Note: Use the short bar to short-circuit terminals 7 and 8.

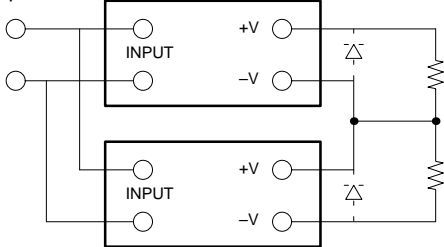
200-V to 240-V Input



Note: Remove the short bar.

GENERATING OUTPUT VOLTAGE (\pm)

An output of \pm can be generated by using two Power Supplies (as shown below) because the Power Supply produces a floating output.



When connecting the Power Supplies in series with an operation amplifier, connect diodes to the output terminals as shown by the dotted lines in the figure. No diodes are required with S82K 90-/100-W models.

WIRING

To prevent incorrect wiring of the input/output terminals, pay attention to their polarities.

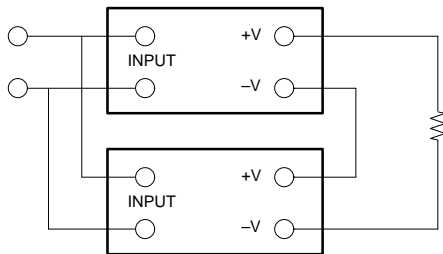
BATTERY CHARGING

With S82K-□09024/-□10024 models, a reduction in lifetime due to over discharge of the battery can be prevented using the DC LOW output. (Discharge can be interrupted at 0.75 to 0.9×24 V.)

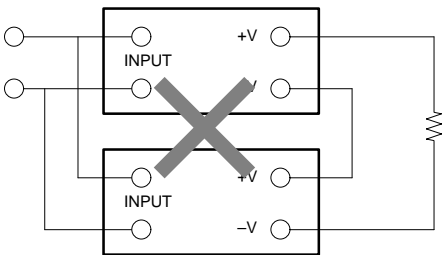
SERIES OPERATION

S82K 90-W/100-W models can be operated in series. It must be noted that the + output of the 7.5-W dual output model cannot be connected in series to its - output.

90-W/100-W Models



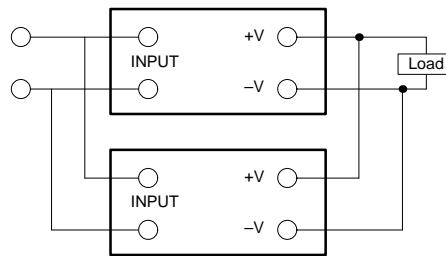
3-, 7.5-, 15-, 30-, 50-W Models



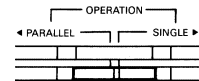
PARALLEL OPERATION

S82K 100-W models can be operated in parallel. Perform parallel operation with power supplies satisfying the same specifications.

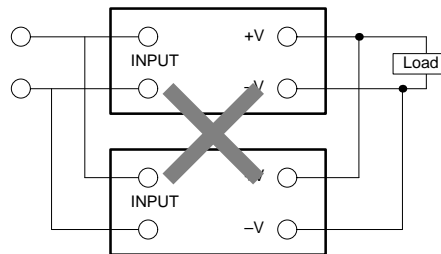
100-W Models



Note: When operating the S82K-P10024 model in parallel operation, set the switch to "PARALLEL." Refer to the derating curve for the rated current under this operation.



3-, 7.5-, 15-, 30-, 50- and 90-W Models



PARALLEL OPERATION PRECAUTIONS

- The length and thickness of each wire connected to the load must be the same so there is no difference in voltage drop value between the load and the output terminals of each Power Supply.
- Adjust the output voltage of each Power Supply so there will be no difference in output voltage between each Power Supply.
- If the S82K-P10024 Power Supply is used in single operation under the parallel operation setting, the overcurrent protection will be actuated at an output of 90% to 95% (in current) and will not allow a 100% output.
- If the S82K-P10024 Power Supplies is used in parallel operation under the single operation setting, it will operate at 110% output, causing severe heat derating and shortening the service life.

Minimum Output Current

The minimum output current of the S82K-00727 and S82K-00728 is restricted by the output voltage and control method.

Note: All the outputs of the S82K-00727 and S82K-00728 are controlled by the +V output. If the +V output current falls to 10% or less of the rated output, the -V output voltage may drop.

Operating and Storage Environments

To avoid deterioration of the operating characteristics or malfunction, do **NOT** use or store the Unit in locations subject to the following conditions:

- Direct sunlight.
- Ambient operating temperatures outside the range indicated by the derating curve.
- Ambient operating humidity outside the range of 25% to 85%.
- Condensation as the result of severe changes in temperature.
- Ambient storage temperatures outside the range of -25°C to 65°C.
- Corrosive or flammable gases.
- Dust (especially iron dust) or salts.
- Shock or vibration.
- Exposure to water, oil, or chemicals.

Certain Terms and Conditions of Sale

1. **Offer: Acceptance.** These terms and conditions (these "Terms") are deemed part of all catalogs, manuals or other documents, whether electronic or in writing, relating to the sale of goods or services (collectively, the "Goods") by Omron Electronics LLC and its subsidiary companies ("Seller"). Seller hereby objects to any terms or conditions proposed in Buyer's purchase order or other documents which are inconsistent with, or in addition to, these Terms. Please contact your Omron representative to confirm any additional terms for sales from your Omron company.
2. **Prices.** All prices stated are current, subject to change without notice by Seller. Buyer agrees to pay the price in effect at time of shipment.
3. **Discounts.** Cash discounts, if any, will apply only on the net amount of invoices sent to Buyer after deducting transportation charges, taxes and duties, and will be allowed only if (i) the invoice is paid according to Seller's payment terms and (ii) Buyer has no past due amounts owing to Seller.
4. **Orders.** Seller will accept no order less than \$200 net billing.
5. **Governmental Approvals.** Buyer shall be responsible for, and shall bear all costs involved in, obtaining any government approvals required for the importation or sale of the Goods.
6. **Taxes.** All taxes, duties and other governmental charges (other than general real property and income taxes), including any interest or penalties thereon, imposed directly or indirectly on Seller or required to be collected directly or indirectly by Seller for the manufacture, production, sale, delivery, importation, consumption or use of the Goods sold hereunder (including customs duties and sales, excise, use, turnover and license taxes) shall be charged to and remitted by Buyer to Seller.
7. **Financial.** If the financial position of Buyer at any time becomes unsatisfactory to Seller, Seller reserves the right to stop shipments or require satisfactory security or payment in advance. If Buyer fails to make payment or otherwise comply with these Terms or any related agreement, Seller may (without liability and in addition to other remedies) cancel any unshipped portion of Goods sold hereunder and stop any Goods in transit until Buyer pays all amounts, including amounts payable hereunder, whether or not then due, which are owing to it by Buyer. Buyer shall in any event remain liable for all unpaid accounts.
8. **Cancellation: Etc.** Orders are not subject to rescheduling or cancellation unless Buyer indemnifies Seller fully against all costs or expenses arising in connection therewith.
9. **Force Majeure.** Seller shall not be liable for any delay or failure in delivery resulting from causes beyond its control, including earthquakes, fires, floods, strikes or other labor disputes, shortage of labor or materials, accidents to machinery, acts of sabotage, riots, delay in or lack of transportation or the requirements of any government authority.
10. **Shipping: Delivery.** Unless otherwise expressly agreed in writing by Seller:
 - a. Shipments shall be by a carrier selected by Seller;
 - b. Such carrier shall act as the agent of Buyer and delivery to such carrier shall constitute delivery to Buyer;
 - c. All sales and shipments of Goods shall be FOB shipping point (unless otherwise stated in writing by Seller), at which point title to and all risk of loss of the Goods shall pass from Seller to Buyer, provided that Seller shall retain a security interest in the Goods until the full purchase price is paid by Buyer;
 - d. Delivery and shipping dates are estimates only.
 - e. Seller will package Goods as it deems proper for protection against normal handling and extra charges apply to special conditions.
11. **Claims.** Any claim by Buyer against Seller for shortage or damage to the Goods occurring before delivery to the carrier must be presented in writing to Seller within 30 days of receipt of shipment and include the original transportation bill signed by the carrier noting that the carrier received the Goods from Seller in the condition claimed.
12. **Warranties.** (a) **Exclusive Warranty.** Seller's exclusive warranty is that the Goods will be free from defects in materials and workmanship for a period of twelve months from the date of sale by Seller (or such other period expressed in writing by Seller). Seller disclaims all other warranties, express or implied. (b) **Limitations.** SELLER MAKES NO WARRANTY OR REPRESENTATION, EXPRESS OR IMPLIED, ABOUT NON-INFRINGEMENT, MERCHANTABILITY OR FITNESS FOR A PARTICULAR PURPOSE OF THE GOODS. BUYER ACKNOWLEDGES THAT IT ALONE HAS DETERMINED THAT THE GOODS WILL SUITABLY MEET THE REQUIREMENTS OF THEIR INTENDED USE. Seller further disclaims all warranties and responsibility of any type for claims or expenses based on infringement by the Goods or otherwise of any intellectual property right. (c) **Buyer Remedy.** Seller's sole obligation hereunder shall be to replace (in the form originally shipped with Buyer responsible for labor charges for removal or replacement thereof) the non-complying Good or, at Seller's election, to repay or credit Buyer an amount equal to the purchase price of the Good; provided that in no event shall Seller be responsible for warranty, repair, indemnity or any other claims or expenses regarding the Goods unless Seller's analysis confirms that the Goods were properly handled, stored, installed and maintained and not subject to contamination, abuse, misuse or inappropriate modification. Return of any goods by Buyer must be approved in writing by Seller before shipment. Seller shall not be liable for the suitability or unsuitability or the results from the use of Goods in combination with any electrical or electronic components, circuits, system assemblies or any other materials or substances or environments. Any advice, recommendations or information given orally or in writing, are not to be construed as an amendment or addition to the above warranty.
13. **Damage Limits: Etc.** SELLER SHALL NOT BE LIABLE FOR SPECIAL, INDIRECT OR CONSEQUENTIAL DAMAGES, LOSS OF PROFITS OR PRODUCTION OR COMMERCIAL LOSS IN ANY WAY CONNECTED WITH THE GOODS, WHETHER SUCH CLAIM IS BASED IN CONTRACT, WARRANTY, NEGLIGENCE OR STRICT LIABILITY. Further, in no event shall liability of Seller exceed the individual price of the Good on which liability is asserted.
14. **Indemnities.** Buyer shall indemnify and hold harmless Seller, its affiliates and its employees from and against all liabilities, losses, claims, costs and expenses (including attorney's fees and expenses) related to any claim, investigation, litigation or proceeding (whether or not Seller is a party) which arises or is alleged to arise from Buyer's acts or omissions under these Terms or in any way with respect to the Goods. Without limiting the foregoing, Buyer (at its own expense) shall indemnify and hold harmless Seller and defend or settle any action brought against Seller to the extent that it is based on a claim that any Good made to Buyer specifications infringed intellectual property rights of another party.
15. **Property: Confidentiality.** The intellectual property embodied in the Goods is the exclusive property of Seller and its affiliates and Buyer shall not attempt to duplicate it in any way without the written permission of Seller. Notwithstanding any charges to Buyer for engineering or tooling, all engineering and tooling shall remain the exclusive property of Seller. All information and materials supplied by Seller to Buyer relating to the Goods are confidential and proprietary, and Buyer shall limit distribution thereof to its trusted employees and strictly prevent disclosure to any third party.
16. **Miscellaneous.** (a) **Waiver.** No failure or delay by Seller in exercising any right and no course of dealing between Buyer and Seller shall operate as a waiver of rights by Seller. (b) **Assignment.** Buyer may not assign its rights hereunder without Seller's written consent. (c) **Amendment.** These Terms constitute the entire agreement between Buyer and Seller relating to the Goods, and no provision may be changed or waived unless in writing signed by the parties. (d) **Severability.** If any provision hereof is rendered ineffective or invalid, such provision shall not invalidate any other provision. (e) **Setoff.** Buyer shall have no right to set off any amounts against the amount owing in respect of this invoice. (f) As used herein, "including" means "including without limitation".

Certain Precautions on Specifications and Use

1. **Suitability of Use.** Seller shall not be responsible for conformity with any standards, codes or regulations which apply to the combination of the Good in the Buyer's application or use of the Good. At Buyer's request, Seller will provide applicable third party certification documents identifying ratings and limitations of use which apply to the Good. This information by itself is not sufficient for a complete determination of the suitability of the Good in combination with the end product, machine, system, or other application or use. The following are some examples of applications for which particular attention must be given. This is not intended to be an exhaustive list of all possible uses of this Good, nor is it intended to imply that the uses listed may be suitable for this Good:
 - (i) Outdoor use, uses involving potential chemical contamination or electrical interference, or conditions or uses not described in this document.
 - (ii) Energy control systems, combustion systems, railroad systems, aviation systems, medical equipment, amusement machines, vehicles, safety equipment, and installations subject to separate industry or government regulations.
 - (iii) Systems, machines and equipment that could present a risk to life or property. Please know and observe all prohibitions of use applicable to this Good.

NEVER USE THE PRODUCT FOR AN APPLICATION INVOLVING SERIOUS RISK TO LIFE OR PROPERTY WITHOUT ENSURING THAT THE SYSTEM AS A WHOLE HAS BEEN DESIGNED TO ADDRESS THE RISKS, AND THAT THE SELLER'S PRODUCT IS PROPERLY RATED AND INSTALLED FOR THE INTENDED USE WITHIN THE OVERALL EQUIPMENT OR SYSTEM.
2. **Programmable Products.** Seller shall not be responsible for the user's programming of a programmable Good, or any consequence thereof.
3. **Performance Data.** Performance data given in this catalog is provided as a guide for the user in determining suitability and does not constitute a warranty. It may represent the result of Seller's test conditions, and the user must correlate it to actual application requirements. Actual performance is subject to the Seller's Warranty and Limitations of Liability.
4. **Change in Specifications.** Product specifications and accessories may be changed at any time based on improvements and other reasons. It is our practice to change part numbers when published ratings or features are changed, or when significant construction changes are made. However, some specifications of the Good may be changed without any notice. When in doubt, special part numbers may be assigned to fix or establish key specifications for your application. Please consult with your Seller's representative at any time to confirm actual specifications of purchased Good.
5. **Errors and Omissions.** The information in this catalog has been carefully checked and is believed to be accurate; however, no responsibility is assumed for clerical, typographical or proofreading errors, or omissions.

Complete "Terms and Conditions of Sale" for product purchase and use are on Omron's website at www.omron.com/oei – under the "About Us" tab, in the Legal Matters section.

ALL DIMENSIONS SHOWN ARE IN MILLIMETERS.

To convert millimeters into inches, multiply by 0.03937. To convert grams into ounces, multiply by 0.03527.

OMRON[®]

OMRON ELECTRONICS LLC

One Commerce Drive
Schaumburg, IL 60173

847-843-7900

For US technical support or other inquiries:

800-556-6766

OMRON CANADA, INC.

885 Milner Avenue
Toronto, Ontario M1B 5V8

416-286-6465

OMRON ON-LINE

Global - <http://www.omron.com>
USA - <http://www.omron.com/oei>
Canada - <http://www.omron.ca>